

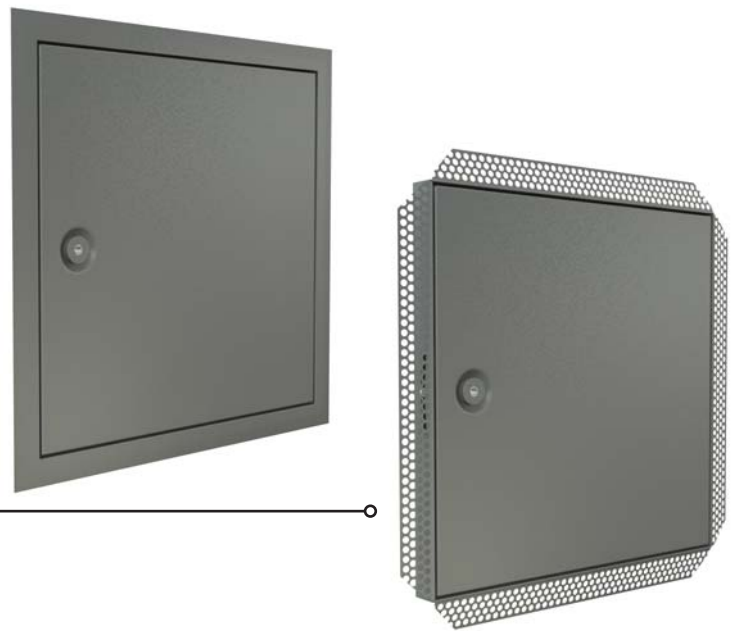
Slimline Access Panels



Install Guide

► Flanged Surround
for easy installation

► Set Bead Surround
for a flush set finish



Steel Access & Door Panels

Slimline Steel Access Panels are made from sturdy lightweight steel and can be used for any basic application.

Installation

When framing the opening allow for a fitting tolerance of 5mm on each side e.g. for 300mm x 300mm panel allow for a clear opening that is 10mm larger such as 310mm x 310mm.

Ensure that the panel you have selected is appropriate for the application.

Do not install standard Slimline panels in fire rated walls or ceilings.

Access Panels and the associated installation detail are relevant for openings that are intended for maintenance access to services immediately or within arms length from the room side of the panel.

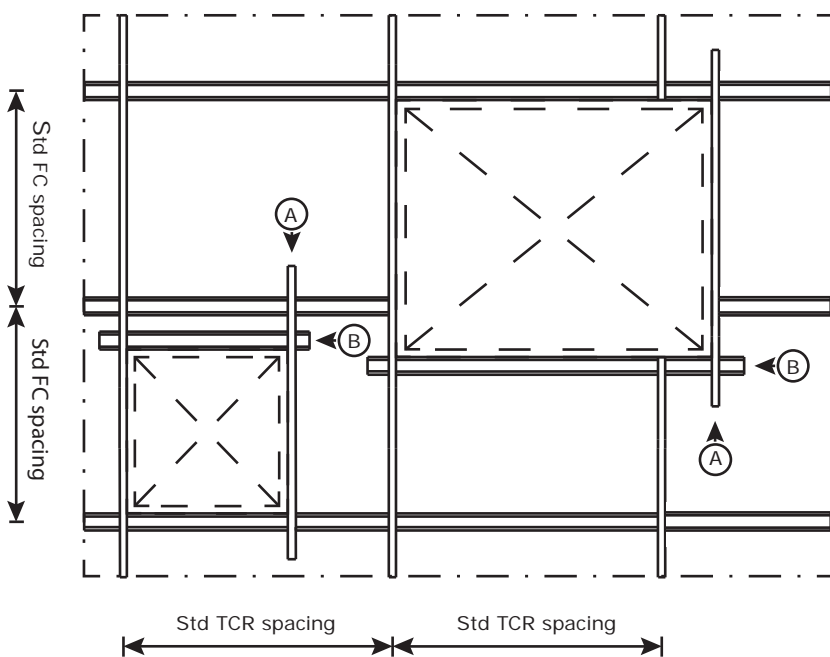
The access panel and the installation detail are not suitable for openings intended as manholes where a person may be expected to climb through the opening or support their weight on the frame of the panel in any manner.

Knauf Slimline Access Panels feature fixing tags which provide secure fastening positions for installation in walls and ceilings.

This information sheet includes fixing detail for the most common applications.

Install Guide

Suspended Ceiling Frame Plan View - Oversize and Undersize Panels

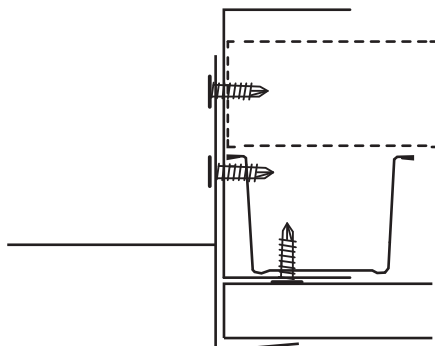


Extra suspension hangers will be required to support TCR ends and the additional TCR sections.

- (A) = additional Top Cross Rails
- (B) = additional Furring Channel

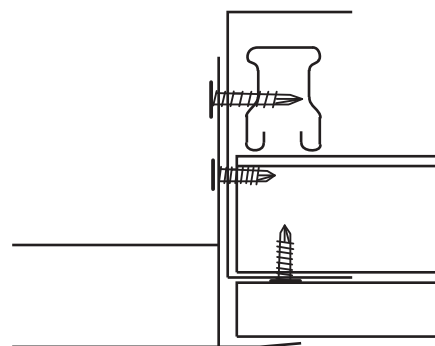
Suspended Ceiling Frame Section Views

Fixing parallel to Furring Channel



Fasten fixing tags to 64mm or 76mm trimming track and furring channel with 10g Tek screws.

Fixing parallel to Top Cross Rail



Fasten fixing tags to 64mm or 76mm trimming track and Top Cross Rail with 10g Tek screws.

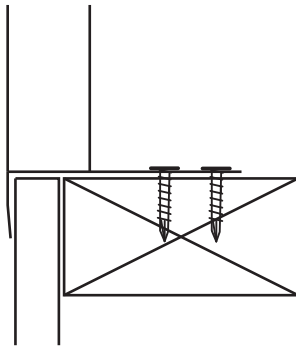
Slimline Access Panels



Install Guide

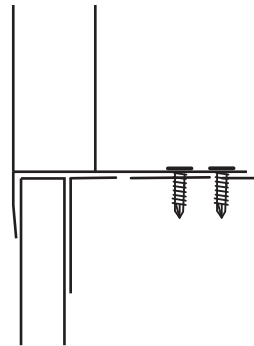
Wall Frame Section View - Timber and Steel Noggings

Fixing to Timber Noggings



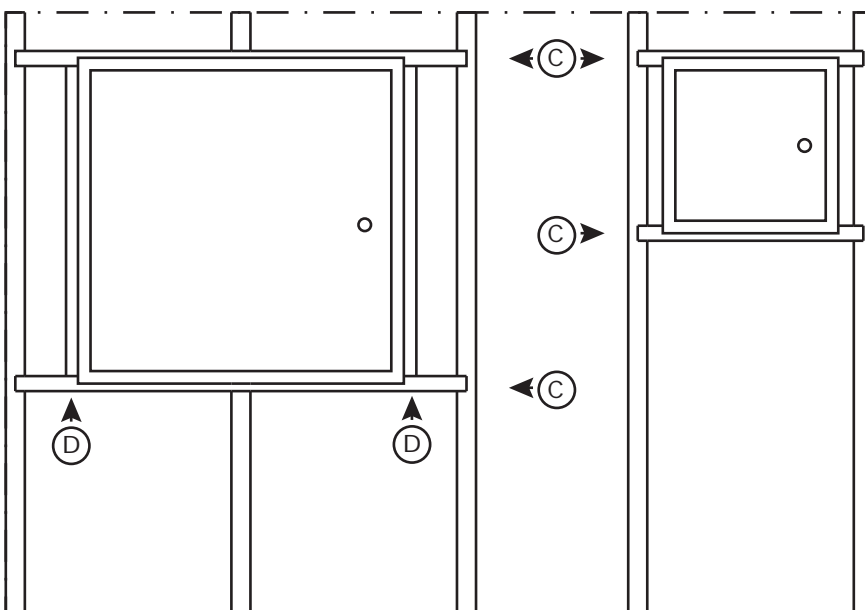
Fasten Fixing Tags to timber nogging with 6g timber screws

Fixing to Steel Noggings



Fasten Fixing Tags to steel nogging with 10g tek screws

Wall Frame Elevation View - Timber stud or Steel Stud



Panel larger than stud spacing

Frame opening with nogging and studs, fixing all connections. This holds the access panel in place and provides sheet edge support.

Panel smaller than stud spacing

Provide nogging top and bottom fastened to full length of studs on each side.

Ⓒ = nogging above and below opening

Ⓓ = studs each side of

Slimline Access Panels



Install Guide



Knauf Metal Slimline Access Panels feature fixing tags which provide secure fastening positions for installation in walls and ceilings.

DISCLAIMER

Products manufactured and systems designed by Knauf Metal are produced in accordance with the Building Code of Australia and the New Zealand Building Code, and also relevant Australian and New Zealand Standards. Information in this document is to be used as a guide only as many aspects of construction are not comprehensively covered. It is the responsibility of the project to determine if Knauf Metal's products and systems are suitable for the intended application. Knauf Metal will not be held responsible for any claims resulting from the installation of its products or other associated products not in accordance with the recommendations of the manufacturer's technical literature or relevant Australian or New Zealand Standard.

Knauf technical information is regularly updated. To ensure this document is current, visit the web site.

Warranty

Knauf Metal's products are guaranteed by a 15 Year Warranty.

For details visit

knaufmetal.com.au

Technical Advice

AU **1300 725 675**